

Retain your independence



The ACORN Superglide 120 OUTDOOR STAIRLIFT

The **ACORN** Superglide 120 has evolved over time to make it one of the most technologically advanced stairlifts in the world.

The outdoor stairlift has all the safety and comfort features of the indoor stairlift however, is designed and manufactured specifically for outdoor use.



The **ACORN** Superglide Outdoor Stairlift is an ideal solution for situations involving any staircase that is exposed to the elements, including garden steps, balconys, porches, verandas and garage or basement steps. The outdoor stairlift is very popular with those lucky enough to live in beach homes, as it is well protected from the ravages of salt air.

All metallic components are either made in aluminium, or are oil annealed or zinc plated before powder coating. Plastic components are heat and UV resistant, protecting the stairlift from colour fading and ambient heat damage.



G I V E Y O U R L I F E A L I F T [®]

A WEALTH OF

features

FOR YOUR BENEFIT

Even in outdoor configurations, the ACORN Superglide Stairlift has world renowned ride quality and performance, making it whisper quiet, smooth, stable and very easy to use.

The Superglide 120 's smooth start/stop action means just that! No sudden jerks or jolts.

Another feature pioneered by ACORN is the on-board diagnostic display which alerts you to any potential operational issues before they arise (e.g. the stairlift has accidentally been switched off or is incorrectly parked).

You can rest safe in the knowledge that tens of thousands of homes & gardens worldwide are enjoying the ACORN experience. Included with the stairlift is a durable plastic cover which will further protect the stairlift from the elements when not in use.



1

Here are some more features of the ACORN stairlift

- Easy to use joystick operation
- Smooth start/stop action
- Swivel seat - no need to twist your body to get on or off the lift
- Hand-held remote control 'call' the lift to where you need it
- 5 safety cut out sensors to detect possible obstructions e.g. objects left on the stairs
- Durable, water-proof cover for outdoor lifts



2

DIMENSIONS

A 500mm

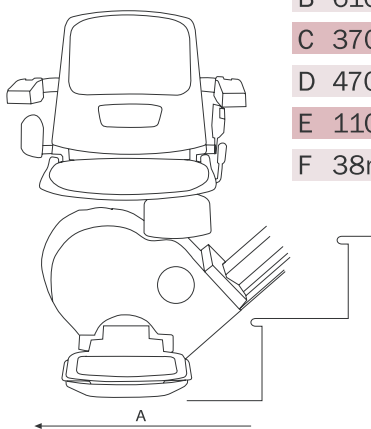
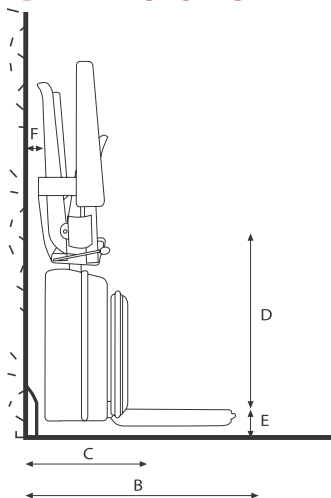
B 610mm

C 370mm

D 470mm

E 110mm

F 38mm



3

1 Durable plastic cover

2 Remote control

3 Easy to use joystick

SPECIFICATIONS

Motor Power	0.25KW
Motor Output Speed	0.1 m/s
Method of Drive	Rack and Pinion
Motor Output Torque	108Nm
Power Supply	24V DC (battery)
Maximum Capacity	127kgs
Track	Extruded Aluminium
Mains Supply	240V, 50Hz Charger



Pandect Mobility Solutions
Unit 1, 17 Wise Street, Addington
PO Box 42 096, Christchurch
New Zealand

Telephone: 03 338 5188
Facsimile: 03 338 2551
Mobile: 021 712 391
Email: pandect@xtra.co.nz
Web: www.pandect.co.nz

ACORN, in keeping with it's policy of continual development, reserve the right to change specifications without notice. All measurements are approximate.

GIVE YOUR LIFE A LIFT